

# TAKE A FEW MINUTES TO WRITE DOWN THESE SIMPLE STEPS

## Plan your storage zones

For how long do you plan to use the vehicle?  A year  2–5 years  10 years or more (see page 4)

Will payload capacity be an issue?  Yes  No Why? \_\_\_\_\_

What type of industry are you in? \_\_\_\_\_

## What kind of partition do I need? (F zone)

Do I need to see my cargo or see out the side doors?  Yes  No

Do I need the ability to go from the cabin to the cargo area through the partition?  Yes  No

## List the equipment/products you will need to store

Place the items that you need most often in the most accessible locations.

|       | How often will you use this? |                          |                          | Zone      |
|-------|------------------------------|--------------------------|--------------------------|-----------|
|       | Daily                        | Weekly                   | Monthly                  | A-B-C-D-E |
| _____ | <input type="checkbox"/>     | <input type="checkbox"/> | <input type="checkbox"/> | _____     |
| _____ | <input type="checkbox"/>     | <input type="checkbox"/> | <input type="checkbox"/> | _____     |
| _____ | <input type="checkbox"/>     | <input type="checkbox"/> | <input type="checkbox"/> | _____     |
| _____ | <input type="checkbox"/>     | <input type="checkbox"/> | <input type="checkbox"/> | _____     |
| _____ | <input type="checkbox"/>     | <input type="checkbox"/> | <input type="checkbox"/> | _____     |

Will I need to carry larger objects  Yes  No

## List the tools you will need to carry

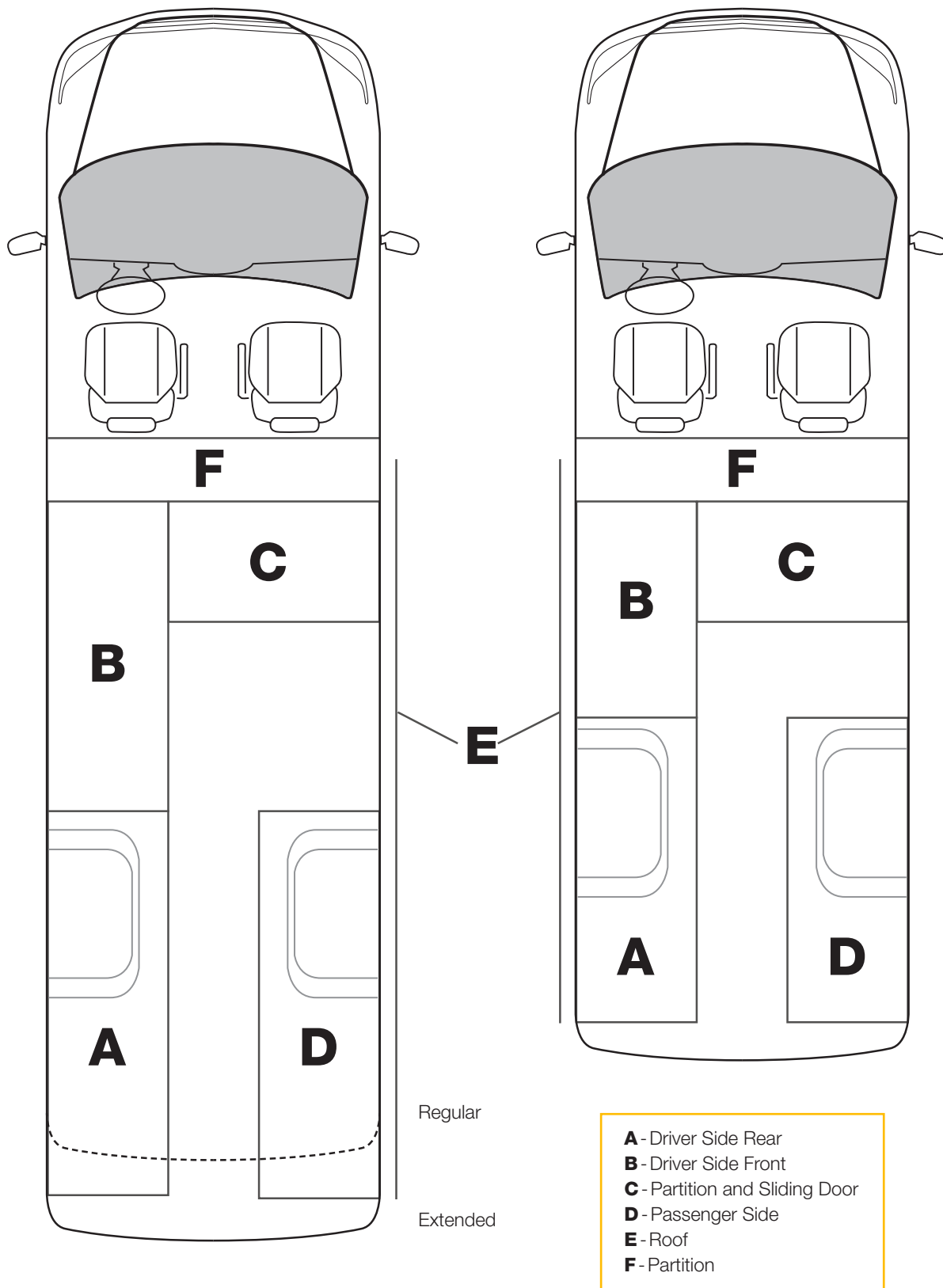
Place heavy tools closest to the access doors.

|       | How often will you use this? |                          |                          | Zone      |
|-------|------------------------------|--------------------------|--------------------------|-----------|
|       | Daily                        | Weekly                   | Monthly                  | A-B-C-D-E |
| _____ | <input type="checkbox"/>     | <input type="checkbox"/> | <input type="checkbox"/> | _____     |
| _____ | <input type="checkbox"/>     | <input type="checkbox"/> | <input type="checkbox"/> | _____     |
| _____ | <input type="checkbox"/>     | <input type="checkbox"/> | <input type="checkbox"/> | _____     |
| _____ | <input type="checkbox"/>     | <input type="checkbox"/> | <input type="checkbox"/> | _____     |
| _____ | <input type="checkbox"/>     | <input type="checkbox"/> | <input type="checkbox"/> | _____     |
| _____ | <input type="checkbox"/>     | <input type="checkbox"/> | <input type="checkbox"/> | _____     |

What kind of ladder(s) will I be carrying? Step ladder Size \_\_\_\_\_ Extension ladders Size \_\_\_\_\_

 **Go to page 201 for an extra copy of this Getting Started form.**

# STORAGE ZONES



# HOW TO USE THE LAYOUT GUIDE

## INSIDE ROOF HEIGHT

To determine the maximum shelf height that can be used in the van.

## PARTITION DEPTH

This indicates the space taken up by our partition for this vehicle. Please note that this measurement is determined by the partition that encroaches the most. Some partitions may take up less space. Take note that this measurement may not necessarily be on the floor.

## DOOR OPENING

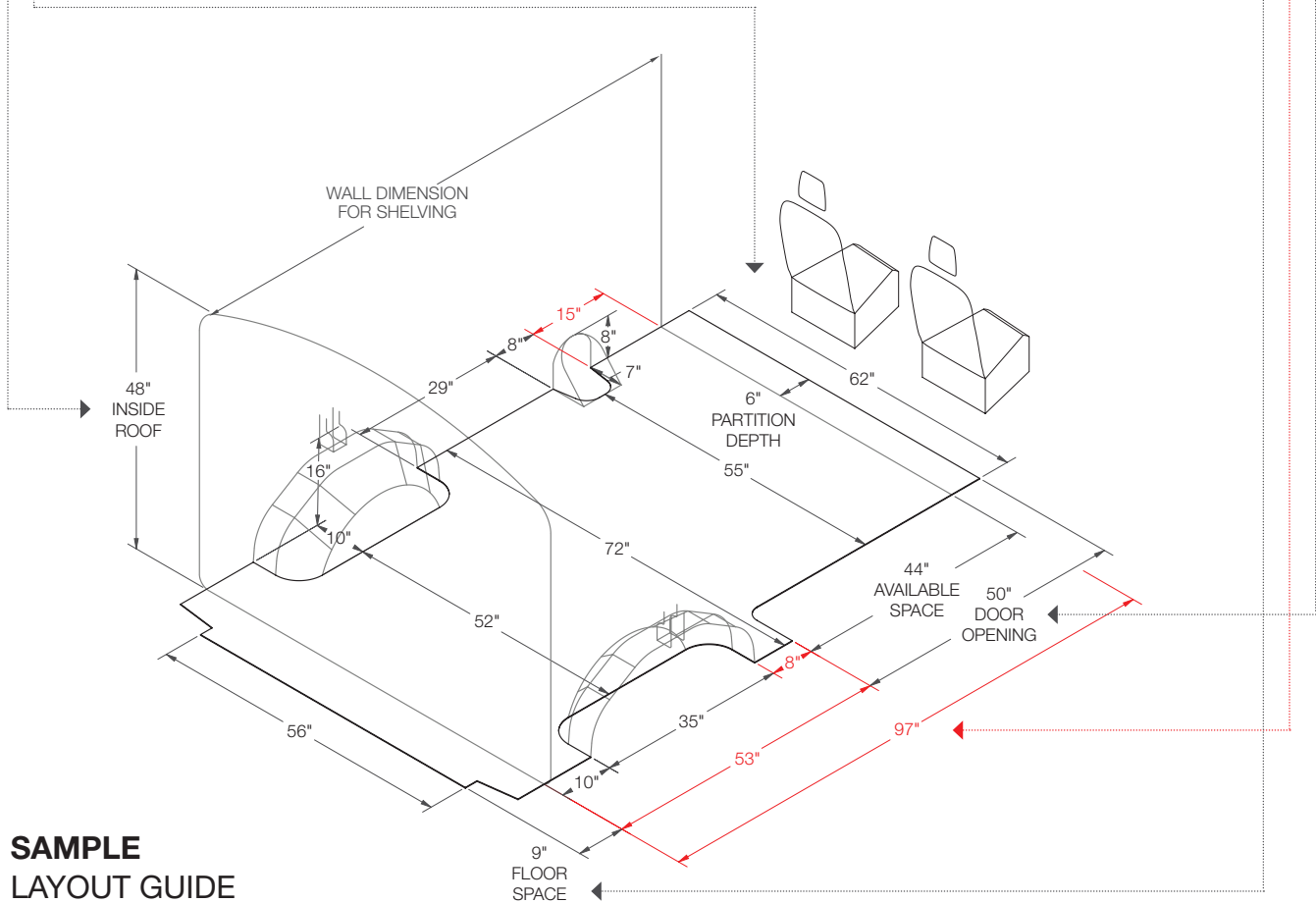
To determine where shelving will land in relation to the door opening. Use this measurement to determine the space available for drawer units.

## DIMENSIONS IN RED

These dimensions indicate unique measurements for each wheelbase. Use red dimensions to determine the exact wheelbase of your van.

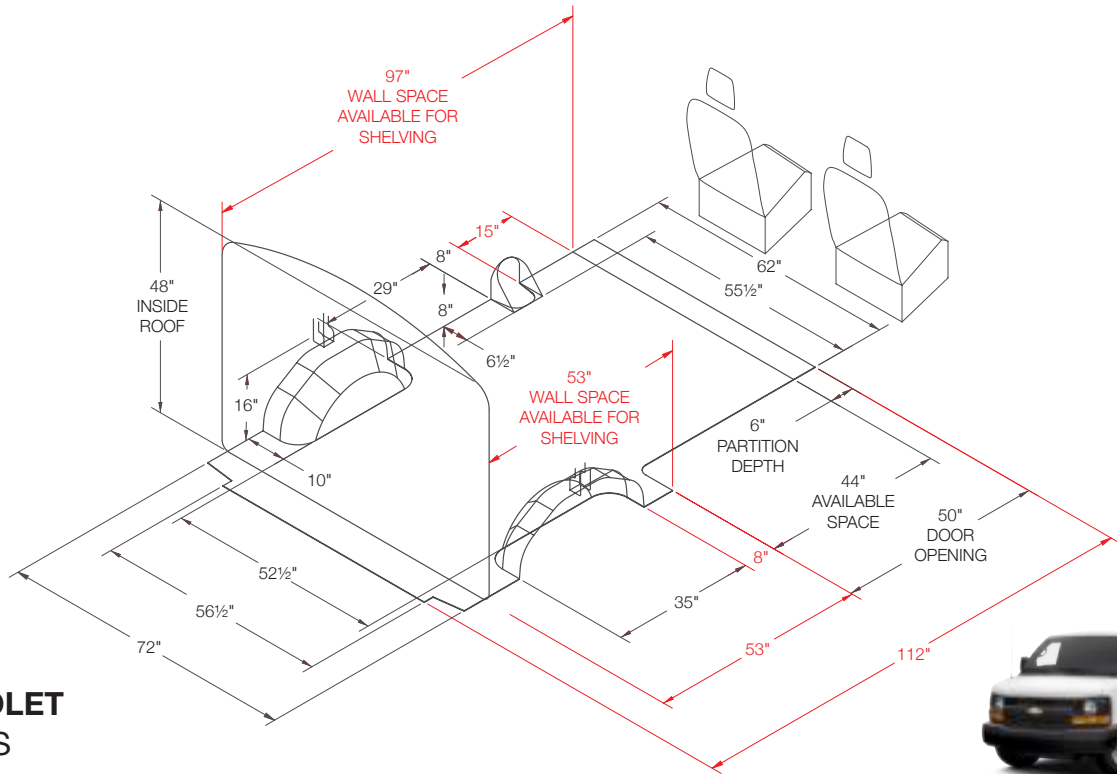
## FLOOR SPACE

This area is usable floor space but due to curvature of the van there may not be the same available area at the roof. Please measure actual van for specific measurement at roof.



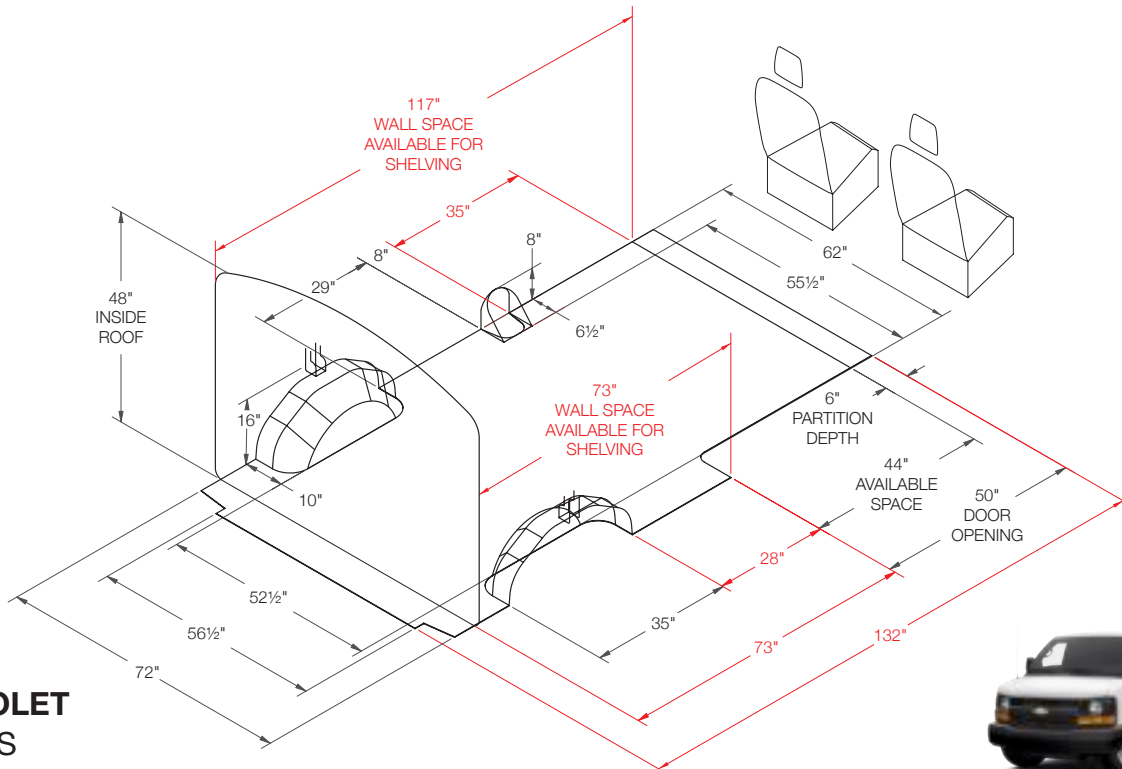
## SAMPLE LAYOUT GUIDE

Wheelbase



## CHEVROLET EXPRESS

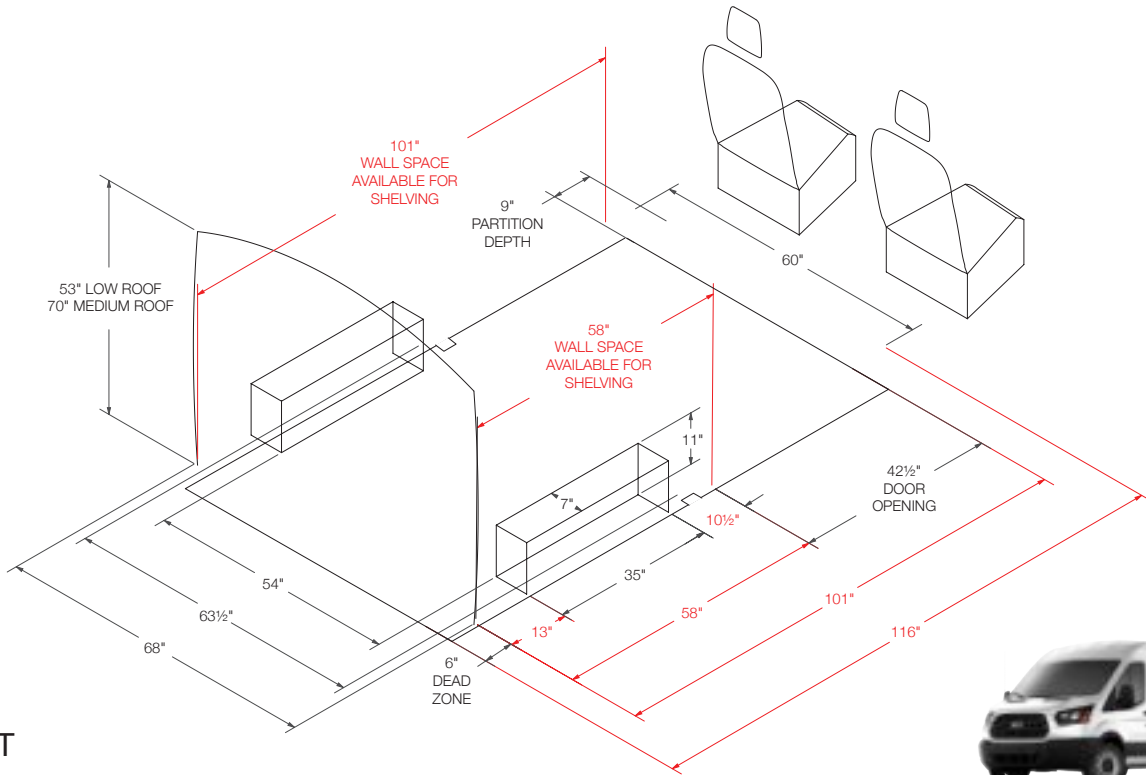
Regular 135" Wheelbase



## CHEVROLET EXPRESS

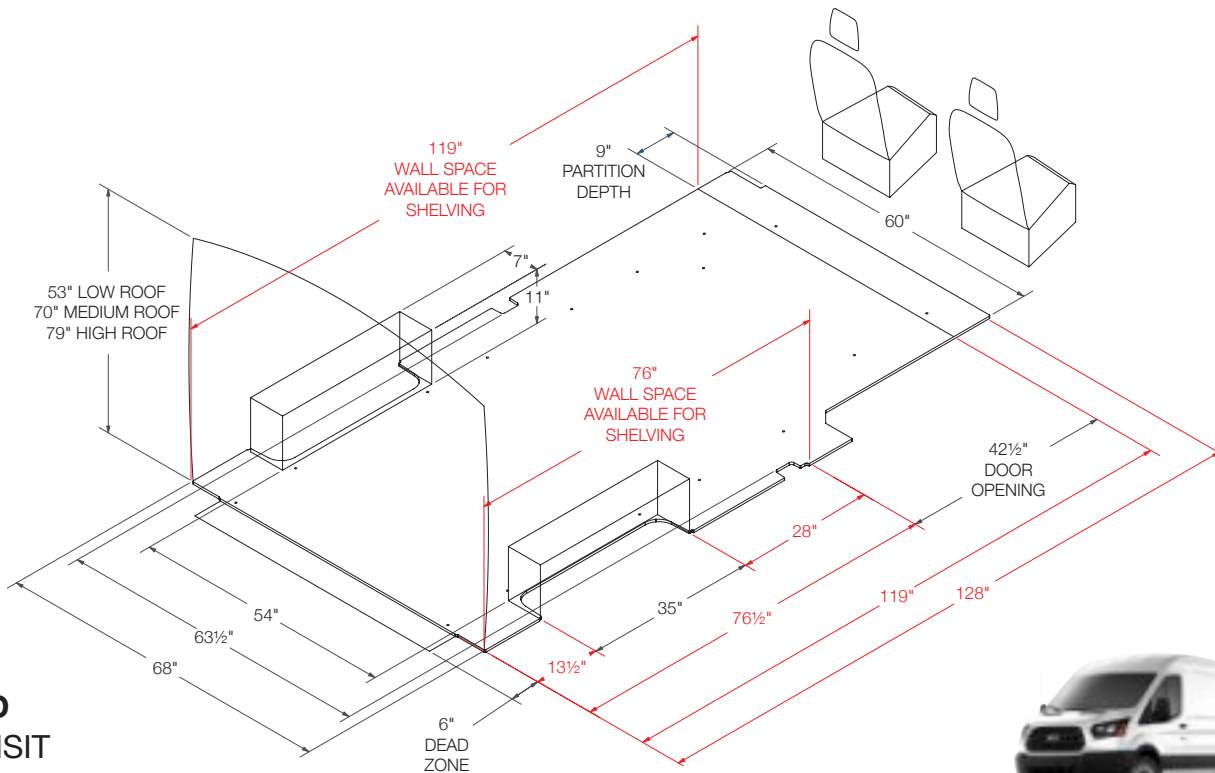
Extended 155" Wheelbase

# LAYOUT GUIDES



## FORD TRANSIT

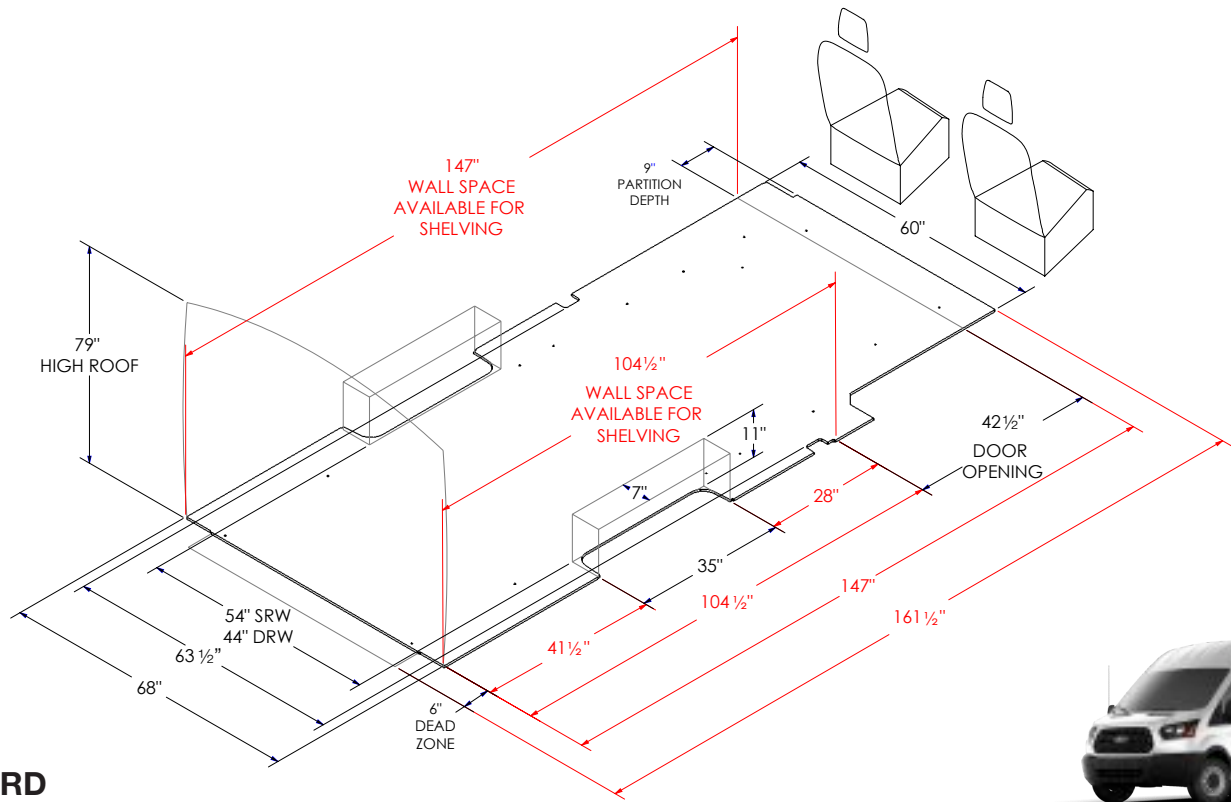
Regular 130" Wheelbase



## FORD TRANSIT

Long 148" Wheelbase

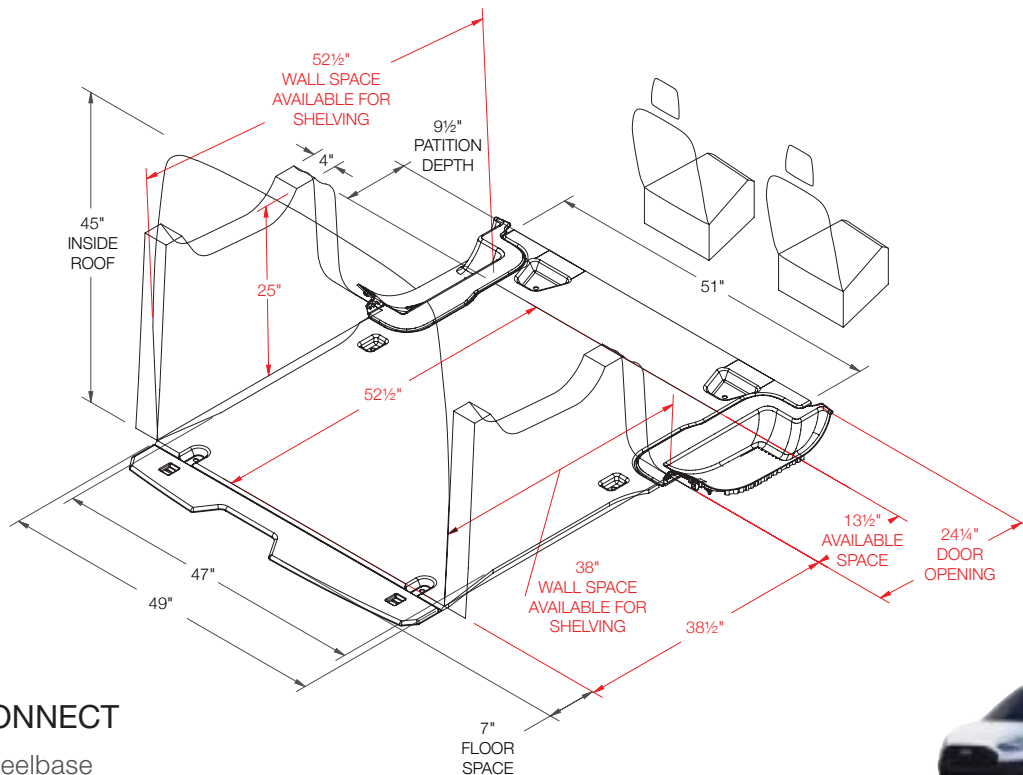




## FORD TRANSIT

Long 148" Wheelbase Extended

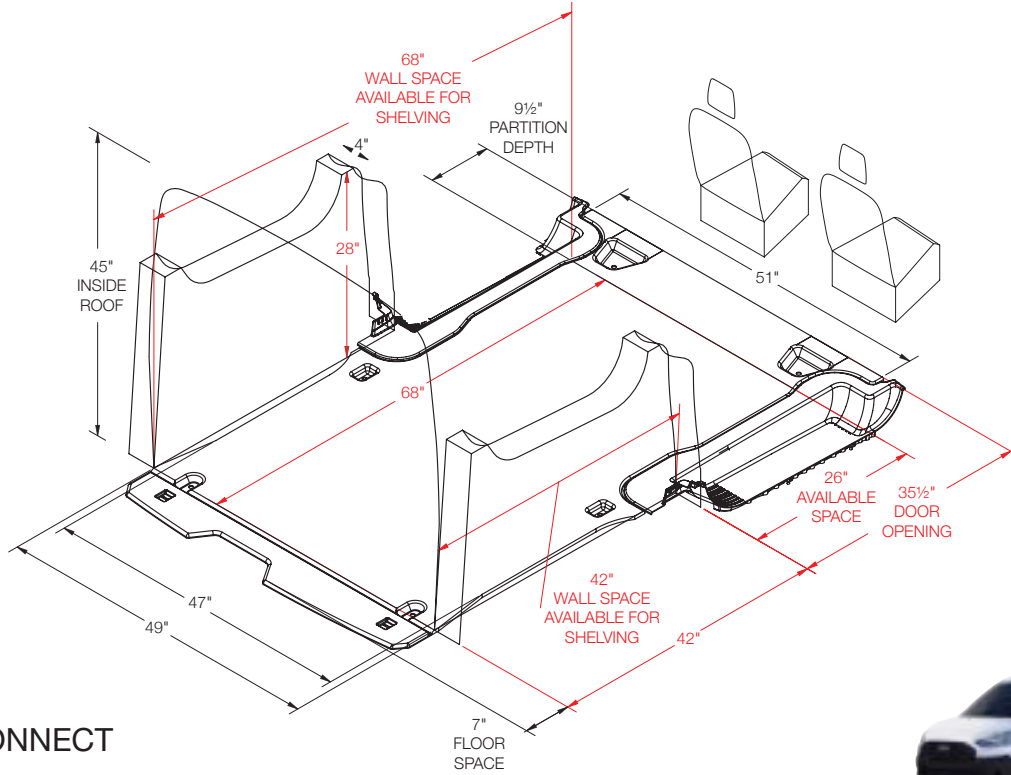
**SRW** Single rear wheel  
**DRW** Double rear wheel



## FORD TRANSIT CONNECT

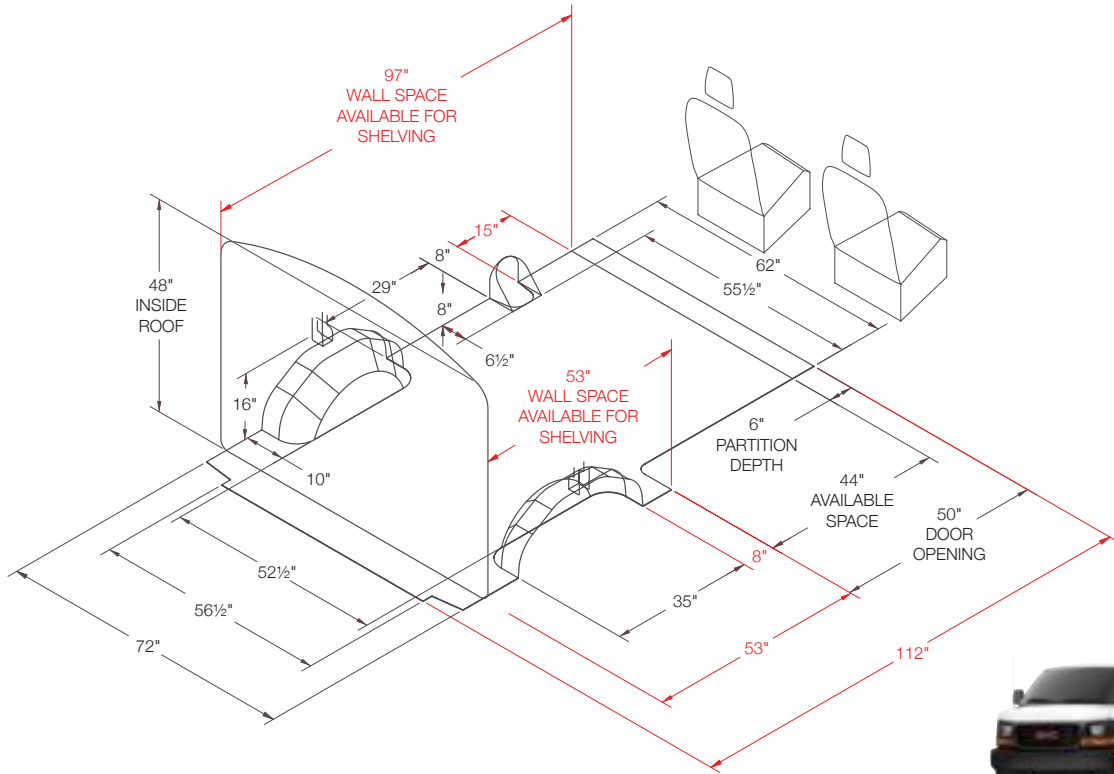
Short 105" Wheelbase  
Available in U.S. only

# LAYOUT GUIDES



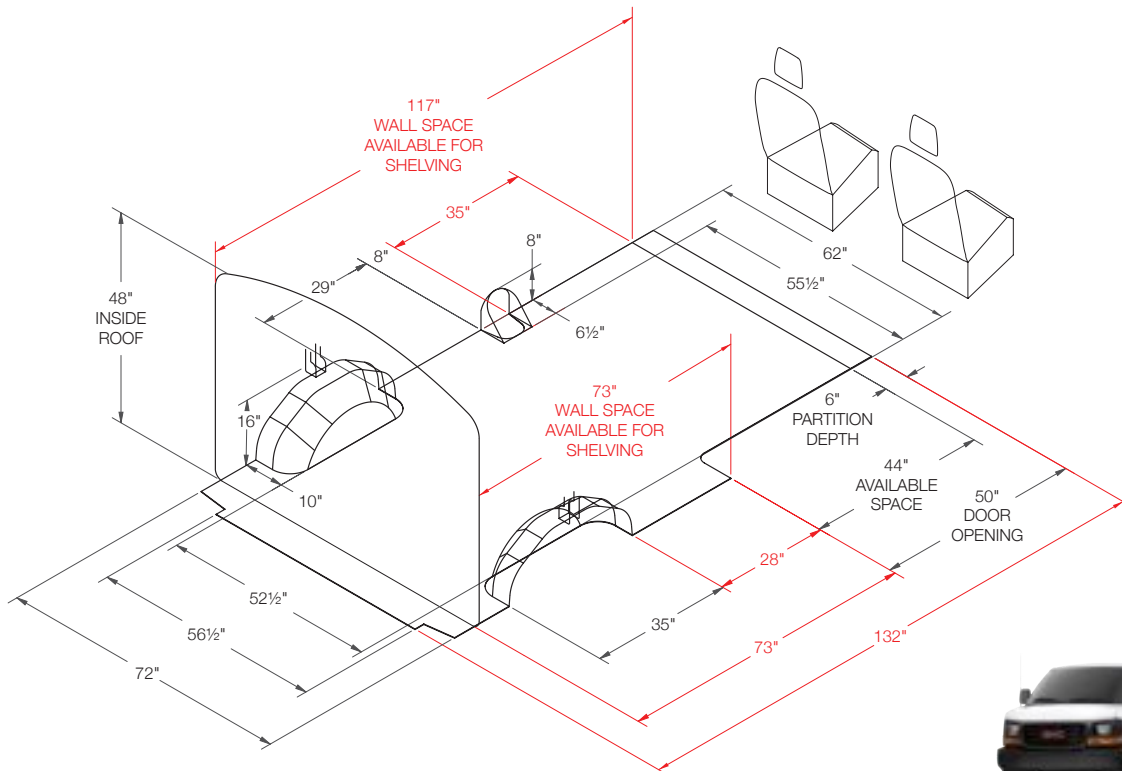
**FORD**  
**TRANSIT CONNECT**  
Long 120.5" Wheelbase





## GMC SAVANA

Regular 135" Wheelbase



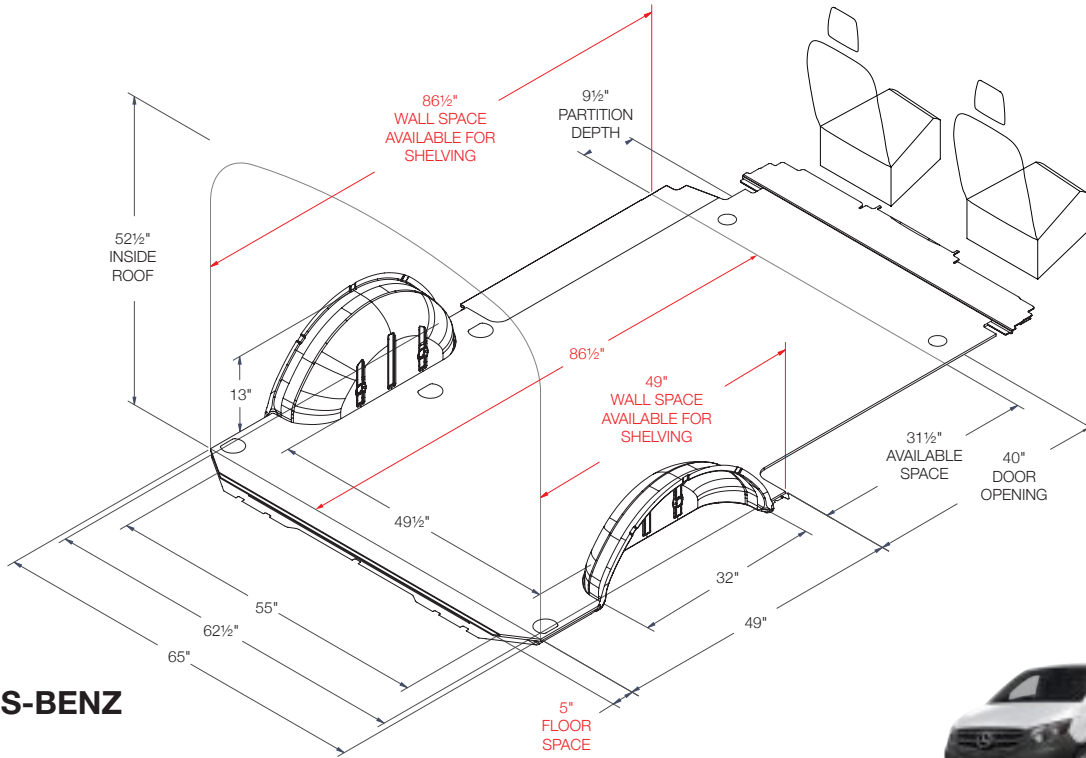
## GMC SAVANA

Extended 155" Wheelbase



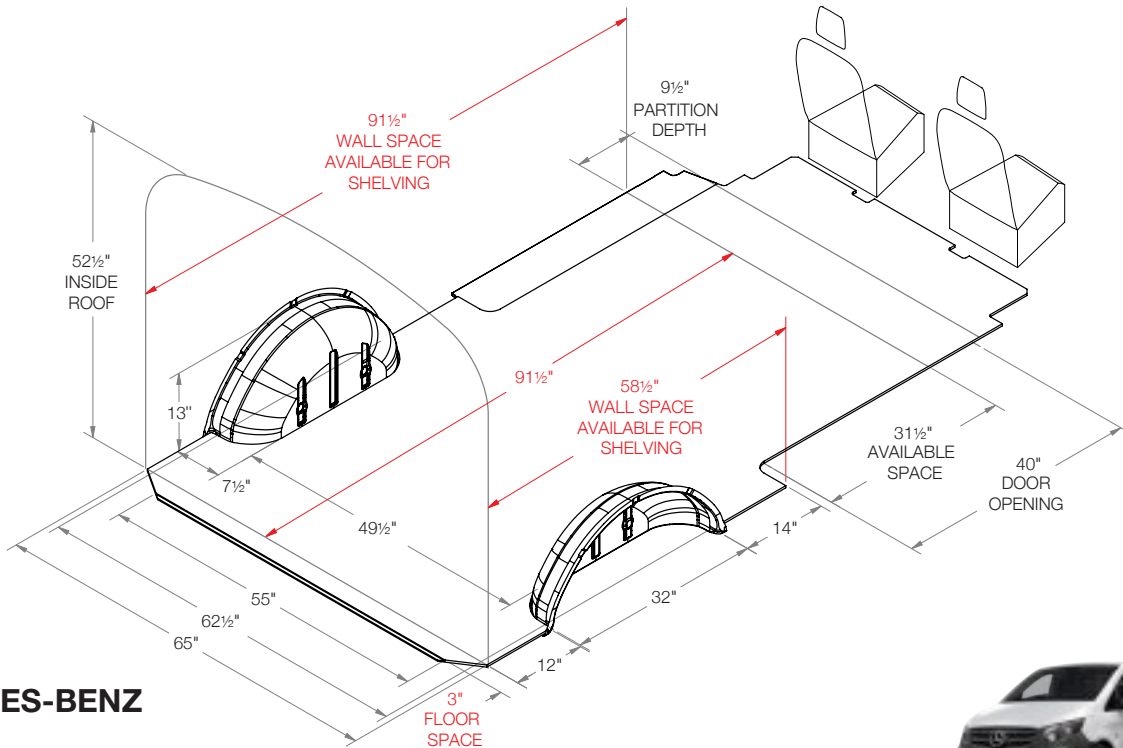


# LAYOUT GUIDES



## MERCEDES-BENZ METRIS

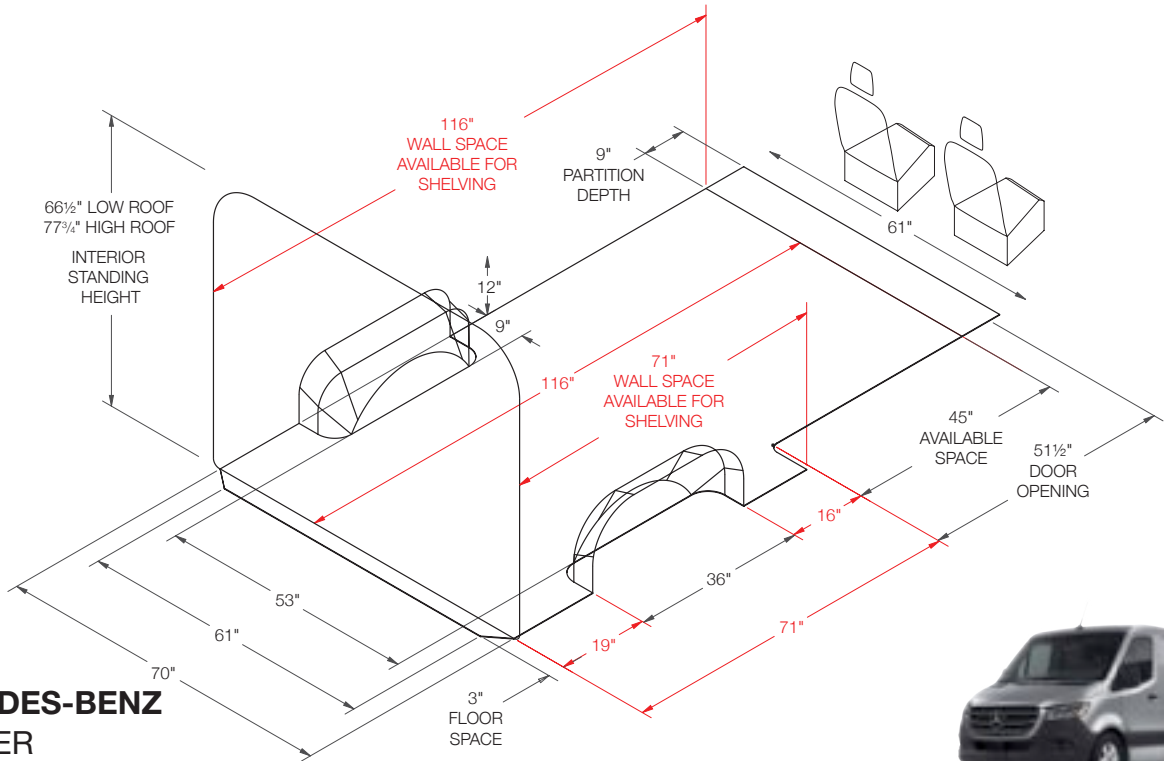
Regular 126" Wheelbase



## MERCEDES-BENZ METRIS

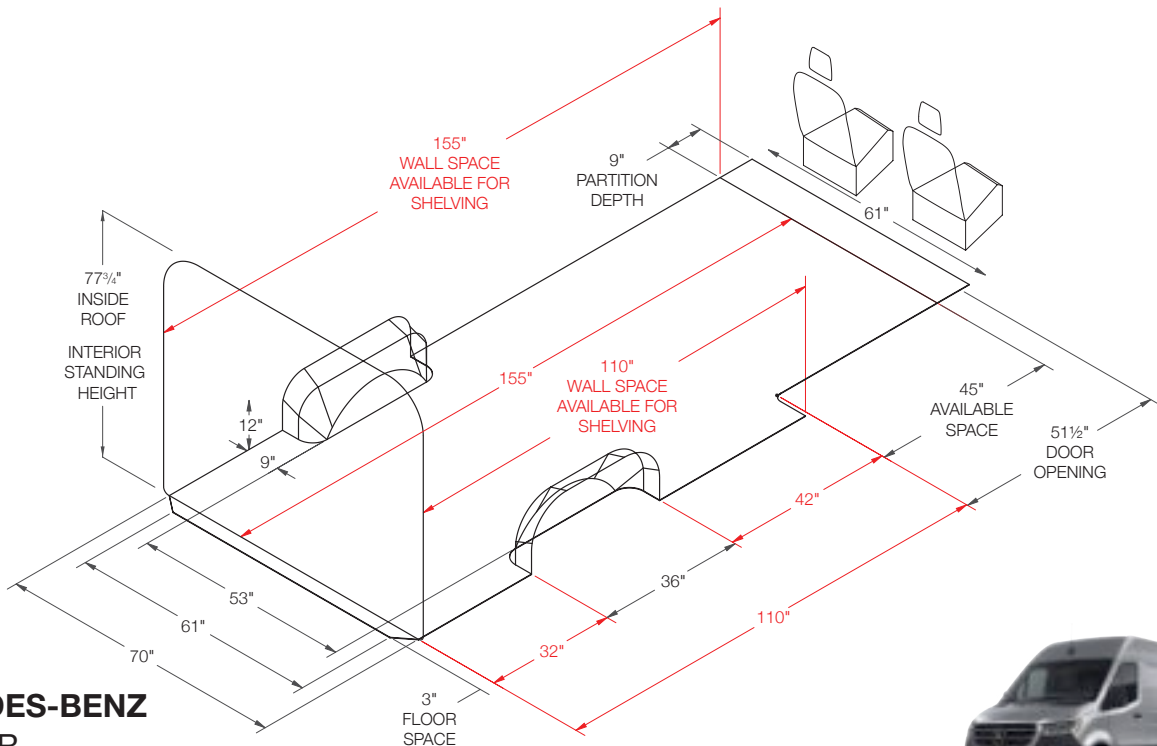
Long 135" Wheelbase





## MERCEDES-BENZ SPRINTER

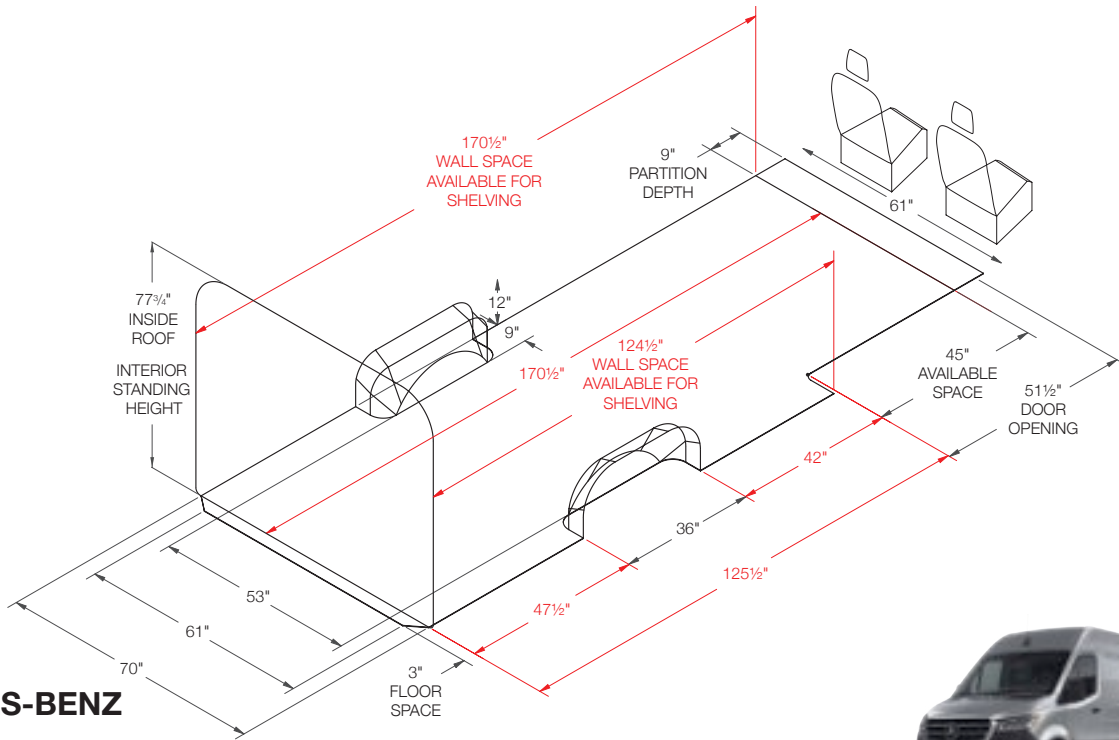
Regular 144" Wheelbase



## MERCEDES-BENZ SPRINTER

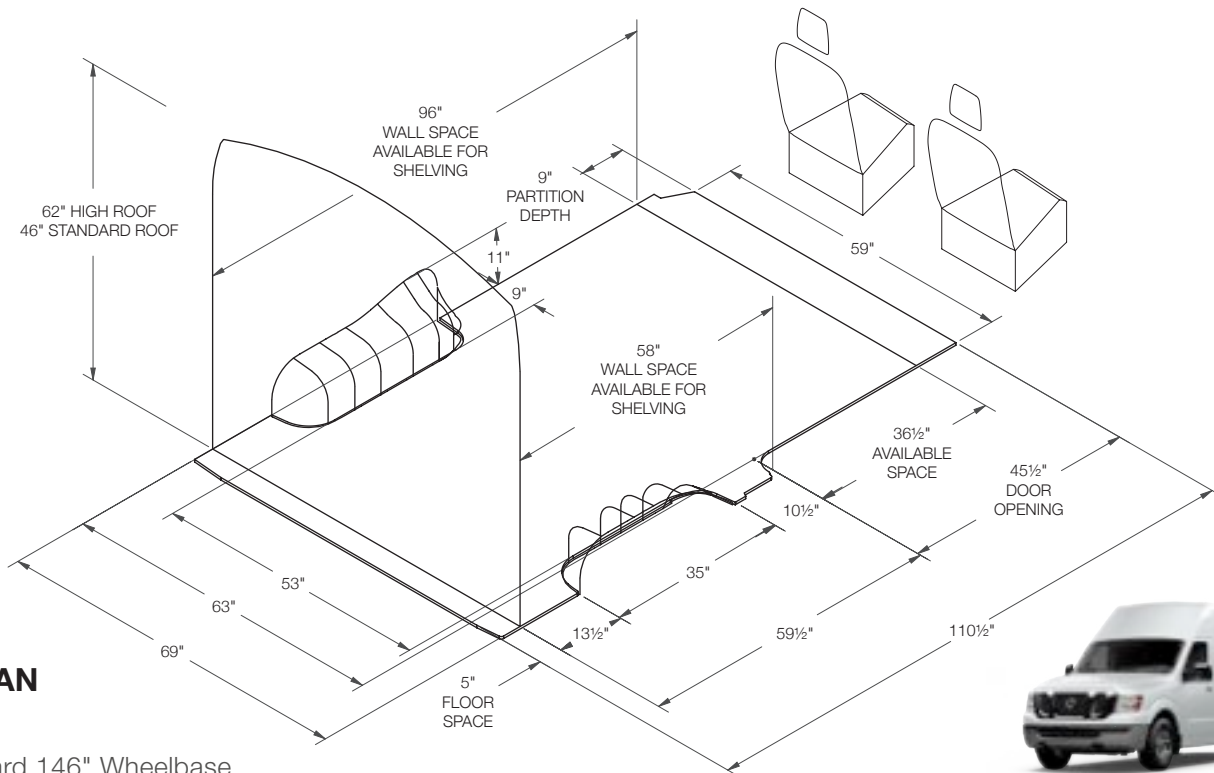
Long 170" Wheelbase

# LAYOUT GUIDES



## MERCEDES-BENZ SPRINTER

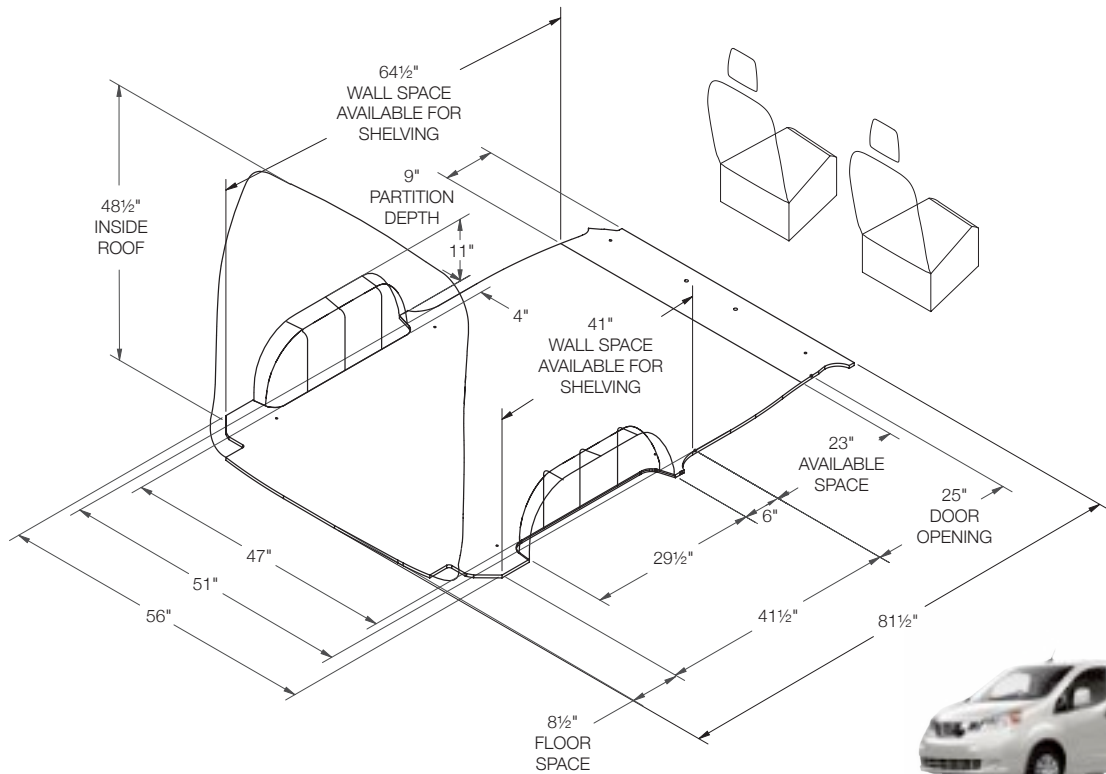
Extended 170" Wheelbase



## NISSAN NV

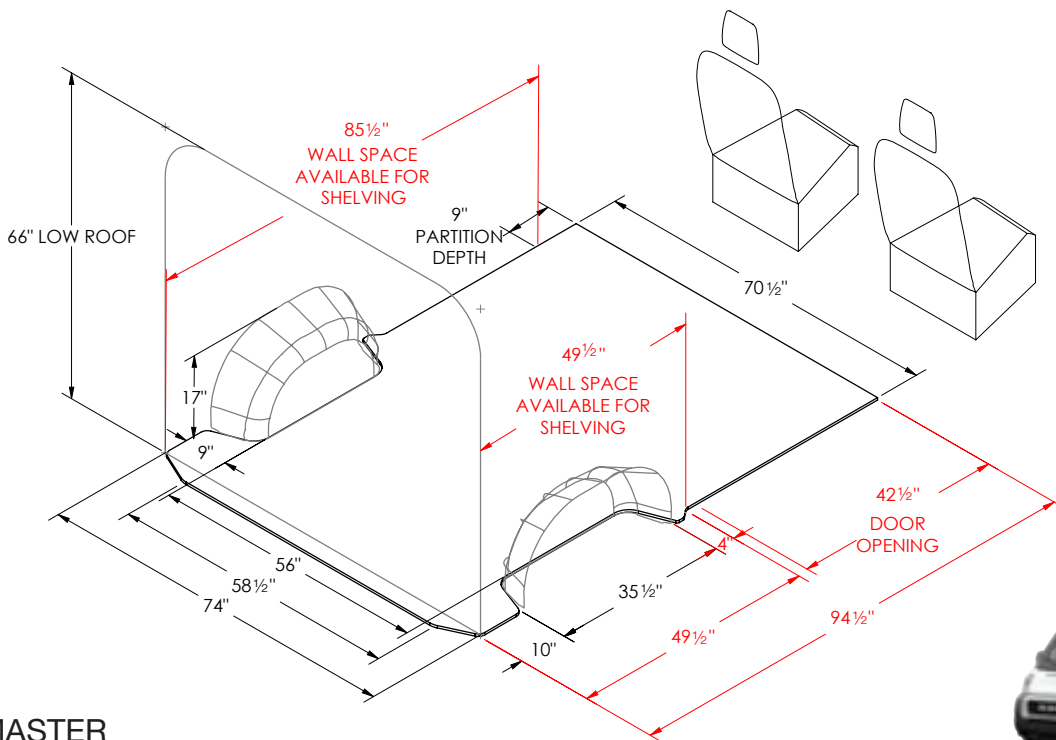
Standard 146" Wheelbase





## NISSAN NV200

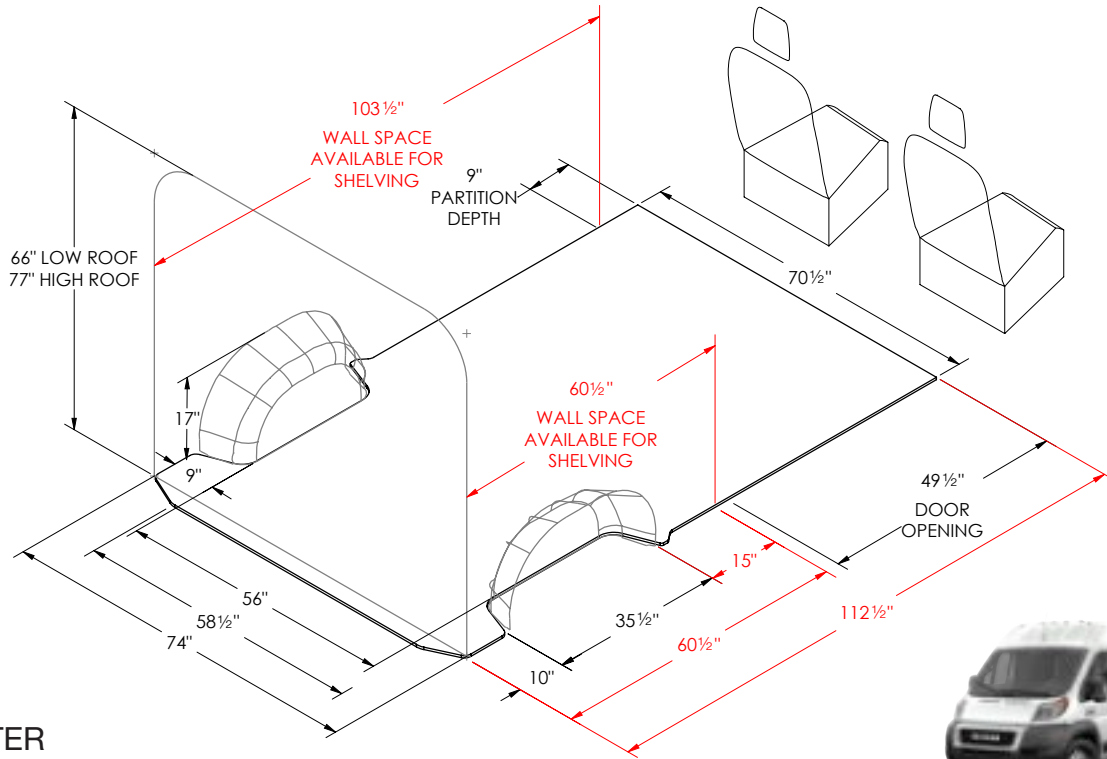
Regular 115" Wheelbase



## RAM PROMASTER

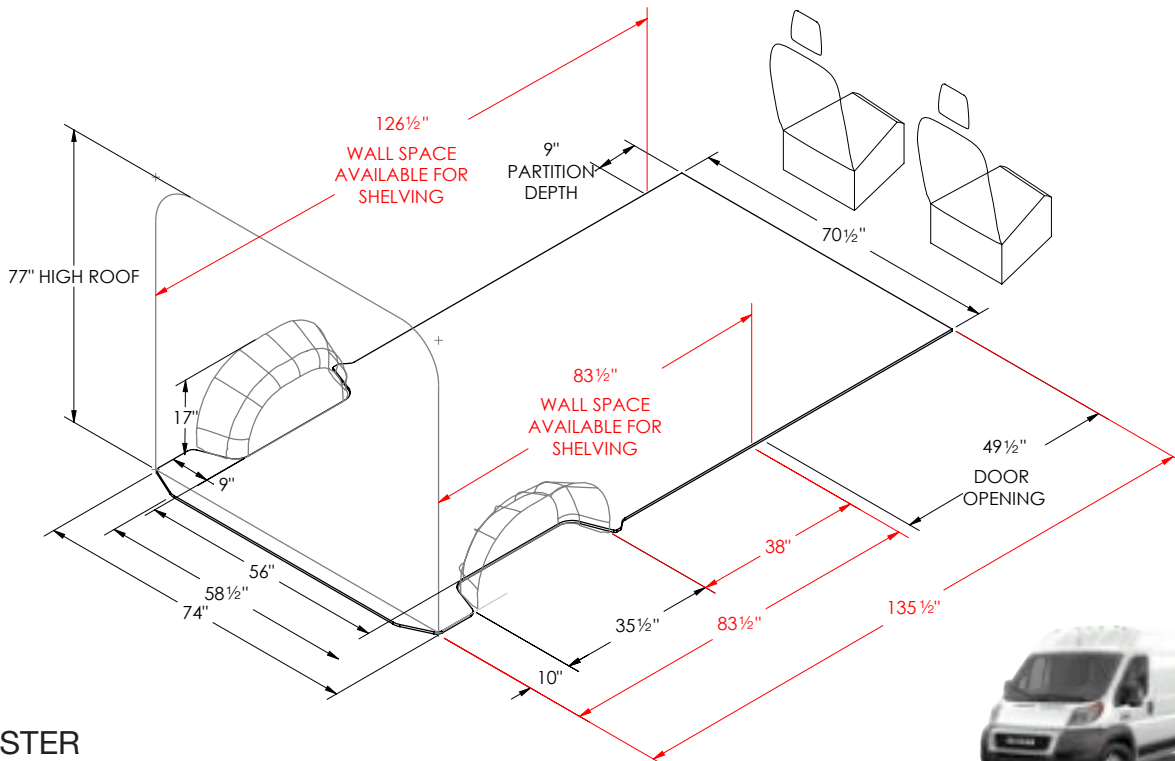
Short 118" Wheelbase

# LAYOUT GUIDES



## RAM PROMASTER

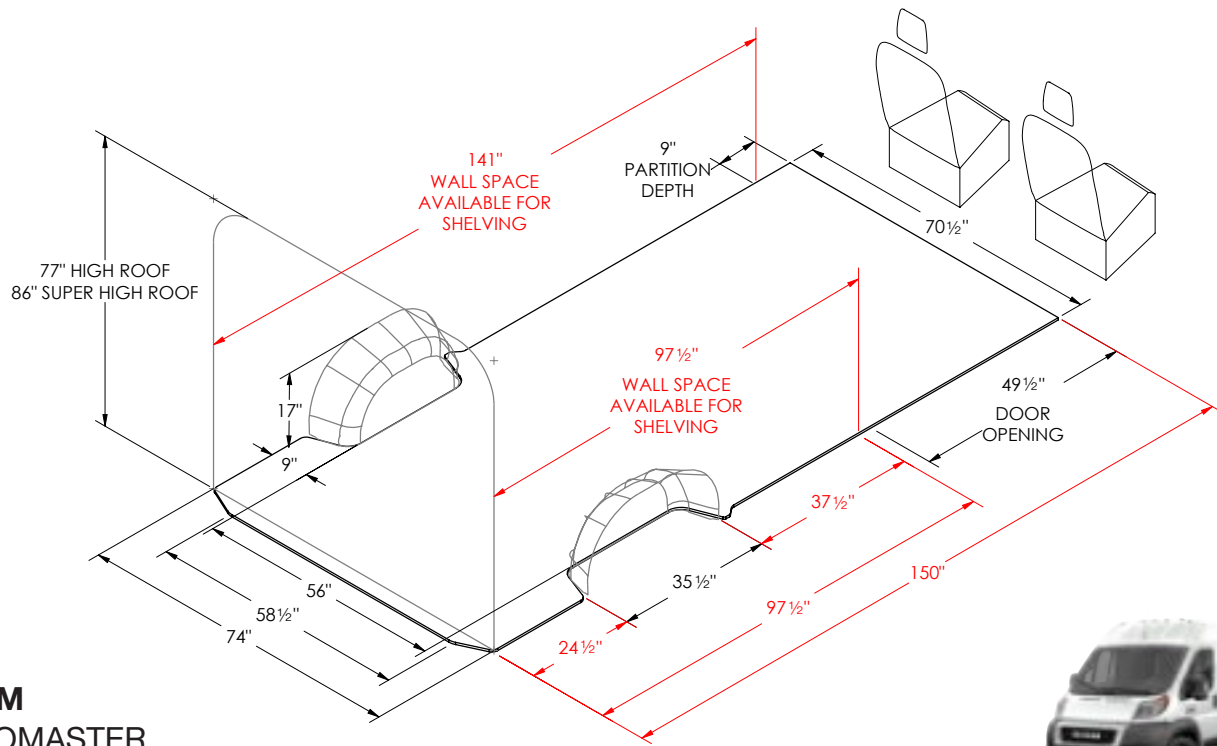
Medium 136" Wheelbase



## RAM PROMASTER

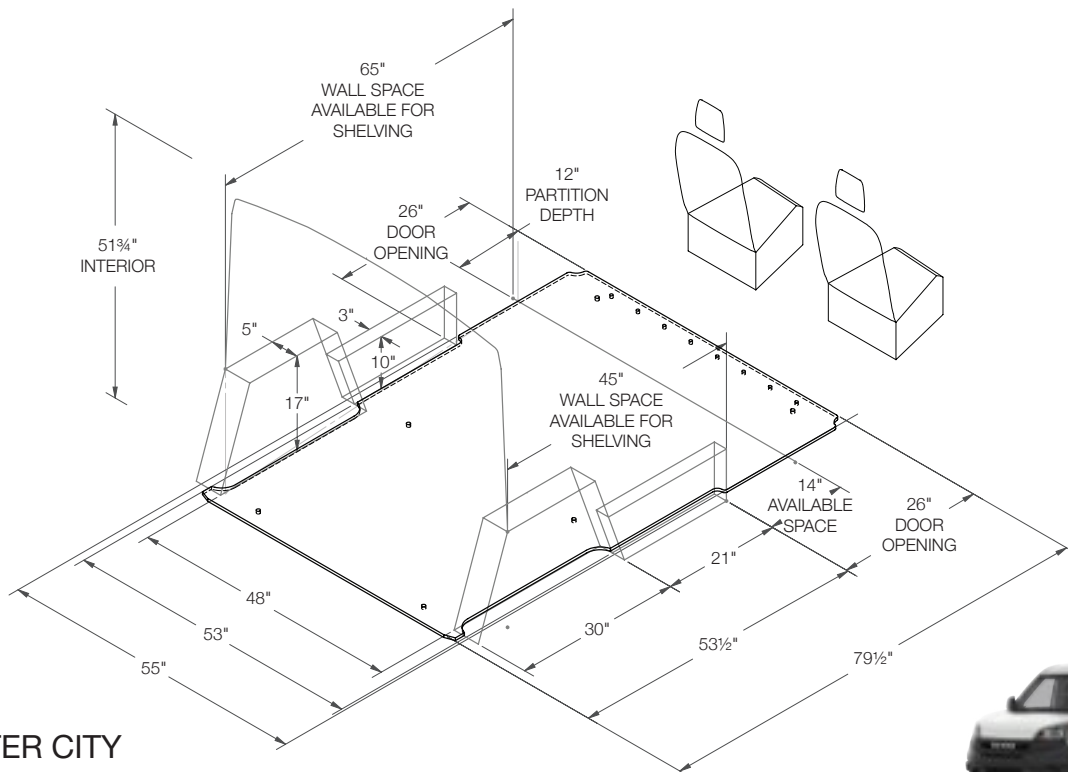
Long 159" Wheelbase





## RAM PROMASTER

Extended 159" Wheelbase



## RAM PROMASTER CITY

Standard 122" Wheelbase

